

# PT280 (B413)

(RoHS Compliant Materials)

## **PT280 (B413)**

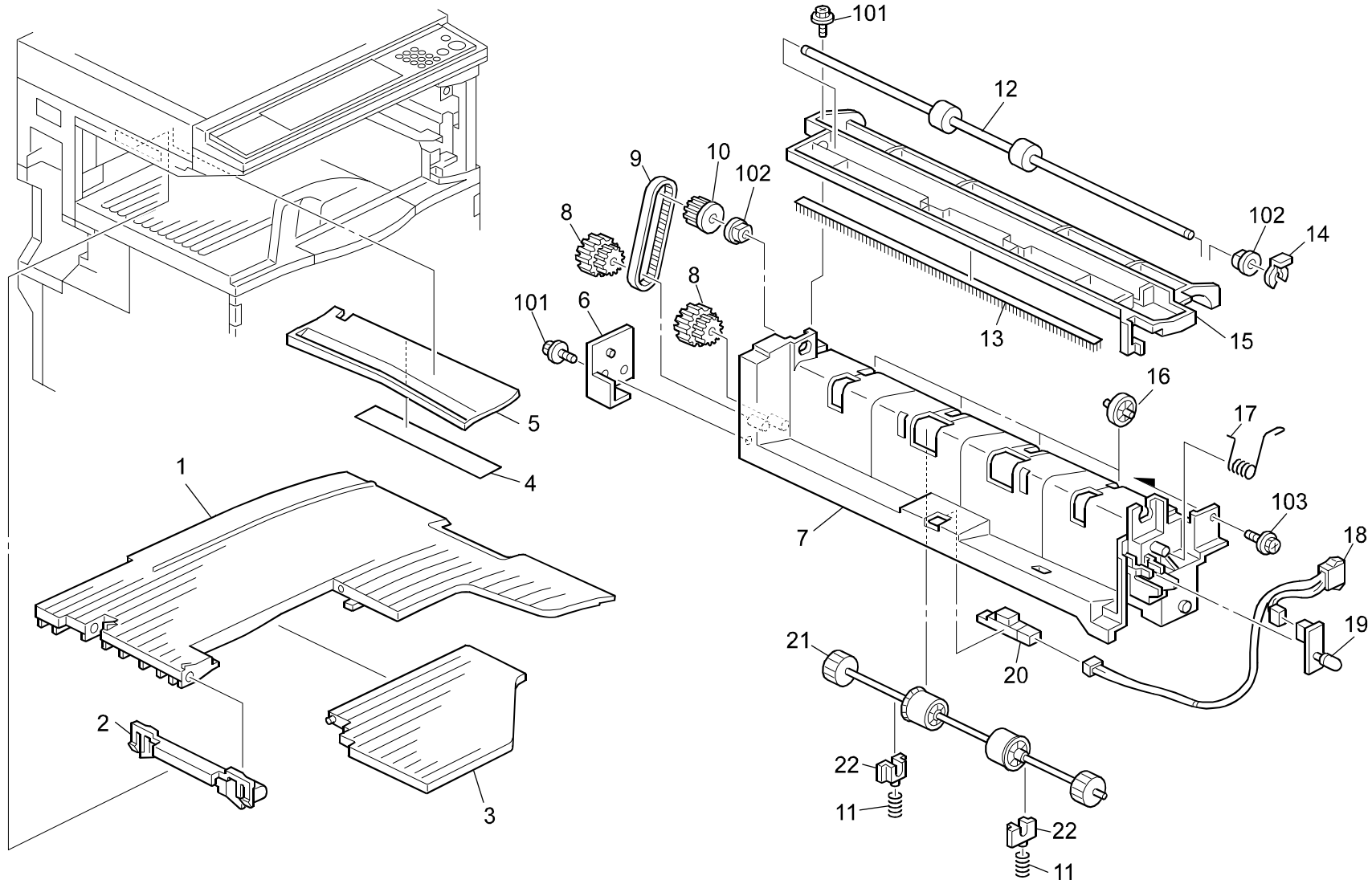
### **PARTS CATALOG**

This catalog gives the numbers and names of parts on this machine.

1.1 Bin Tray (B413) .....	2
<b>PARTS INDEX .....</b>	<b>5</b>

**July ,01 ' 2005**

# 1.1 Bin Tray (B413)



### 1.1 Bin Tray (B413)

Index No.	Part No.	Description	Q'ty Per Assembly
1	B480 2611	Tray:Exit:Machine Or Copier	1
2	B413 2615	Guide - Tray Exit	1
3	B413 2612	Tray - Exit Auxiliary	1
4	A898 2622	Film Guide Uppre	1
5	B413 2621	Guide - Tray Exit Upper	1
6	A898 1321	Cover Drive	1
7	B413 1131	Frame - Lower	1
8	A898 1331	Pulley - 22/31Z	2
9	AA04 3522	Timing Belt - B30S3M189	1
10	A898 1231	Pulley - 15Z	1
11	AA06 3341	Compression Spring	2
12	A898 1222	Exit Roller - Drive	1
13	AA12 0094	Antistatic Brush	1
14	5447 2681	Snap Ring	1
15	B413 1121	Frame - Upper	1
16	A898 1151	Roller Driven Entrance	4
17	AA06 6317	Torsion Spring	1
18	B413 1421	Harness - LED	1
19	B413 5110	PCB Disp	1
20	AW01 0124	Photo Refiection Sensor:Gp2a200lcs0f	1
21	A898 1162	Exit Roller - Driven	1
22	AA08 0232	Bushing - M4	2

Index No.	Part No.	Description	Q'ty Per Assembly
101	0450 3008N	Tapping Screw - M3x8	
102	0805 3480	Bushing - 6mm	
103	0451 3008N	Tapping Screw - M3x8	

# Parts Index

## Parts Index

Part No.	Description	Page and Index No.
B413 1121	Frame - Upper	3 - 15
B413 1131	Frame - Lower	3 - 7
B413 1421	Harness - LED	3 - 18
B413 2612	Tray - Exit Auxiliary	3 - 3
B413 2615	Guide - Tray Exit	3 - 2
B413 2621	Guide - Tray Exit Upper	3 - 5
B413 5110	PCB Disp	3 - 19

Part No.	Description	Page and Index No.
A898 1151	Roller Driven Entrance	3 - 16
A898 1162	Exit Roller - Driven	3 - 21
A898 1222	Exit Roller - Drive	3 - 12
A898 1231	Pulley - 15Z	3 - 10
A898 1321	Cover Drive	3 - 6
A898 1331	Pulley - 22/31Z	3 - 8
A898 2622	Film Guide Uppre	3 - 4
B480 2611	Tray:Exit:Machine Or Copier	3 - 1

Part No.	Description	Page and Index No.
AA04 3522	Timing Belt - B30S3M189	3 - 9
AA06 3341	Compression Spring	3 - 11
AA06 6317	Torsion Spring	3 - 17
AA08 0232	Bushing - M4	3 - 22
AA12 0094	Antistatic Brush	3 - 13
AW01 0124	Photo Refiection Sensor:Gp2a200lcs0f	3 - 20

Part No.	Description	Page and Index No.
0450 3008N	Tapping Screw - M3x8	3 - 101
0451 3008N	Tapping Screw - M3x8	3 - 103
0805 3480	Bushing - 6mm	3 - 102

Part No.	Description	Page and Index No.
5447 2681	Snap Ring	3 - 14

Part No.	Description	Page and Index No.